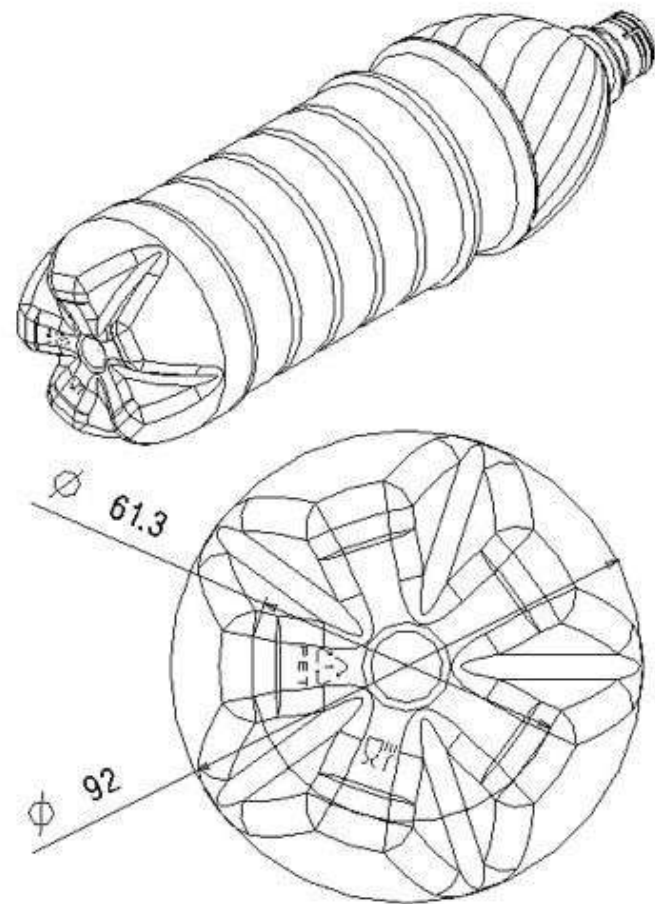
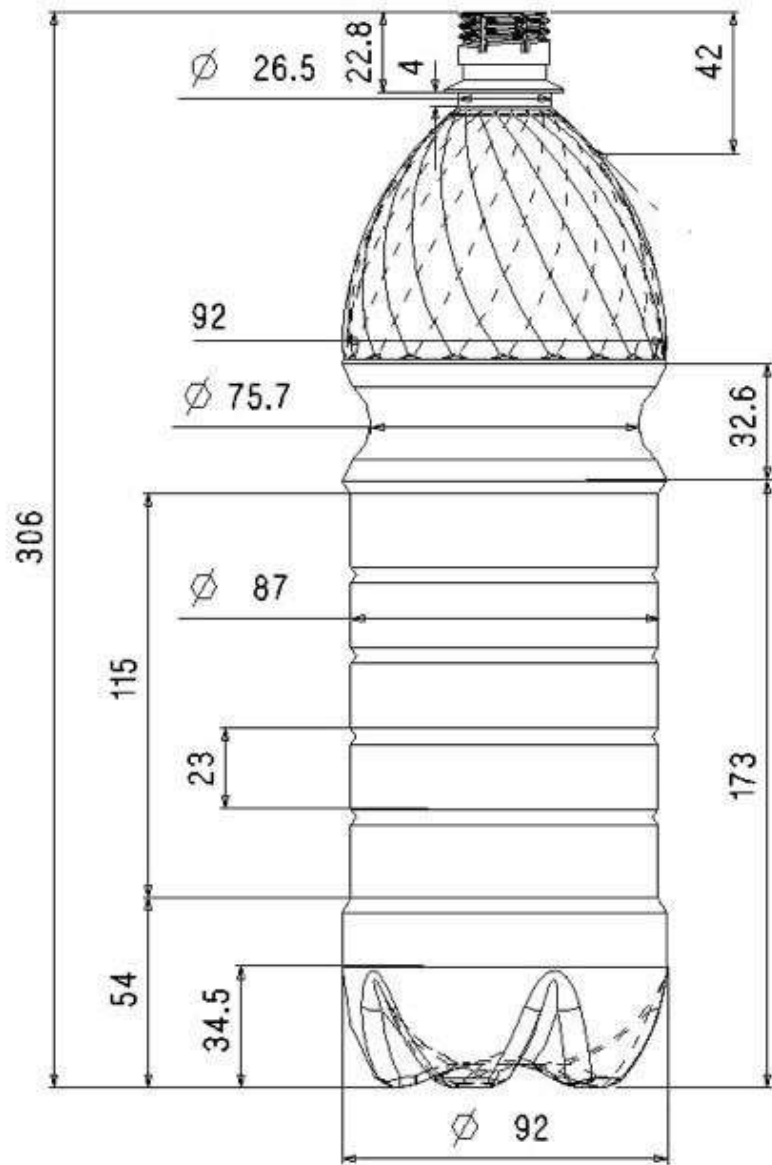


MNK.1911.145.001962



NUMBER	MNK.1911.145.001962	
NAME	PEREVIT	signature
VOLUME	1,5 л	